

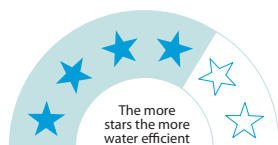
PLEASE NOTE

A semi-integrated dishwasher has only the control panel visible. A decorative door panel is fitted to the recessed panel of the dishwasher below the visible control panel. This fitted panel is usually made of the same material as the adjacent cabinetry. A kickplate must also be fitted below the fitted door. This kickplate should also be of the same material as the adjacent kickplates.

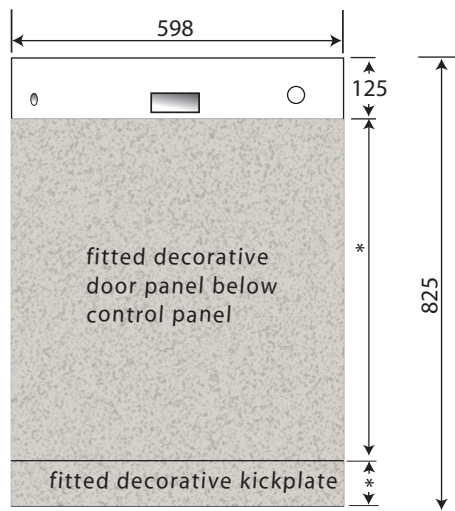
finish	silverfrost control panel
size	825mmH x 598mmW x 552mmD
capacity	14 placesettings (IEC international)
half load	top basket washing only
programs	five
controls	electronic, rotary dial
drying	residual heat hot air
quietness	46 dB
water security	pex hosing plus float switch
filtration	three stage
baskets	bottom: 30cm diameter plates collapsible dish racks top: height adjustable, double-stack side racks
warranty	two years parts and labour

- 14-plate capacity, up to 30cm diameter plates
- plate size: 25.5-30cm diameter bottom basket
20.5-24cm diameter top basket
- height-adjustable top basket — double-stack side racks in top basket, cups or long-stemmed glasses
- five wash programs —

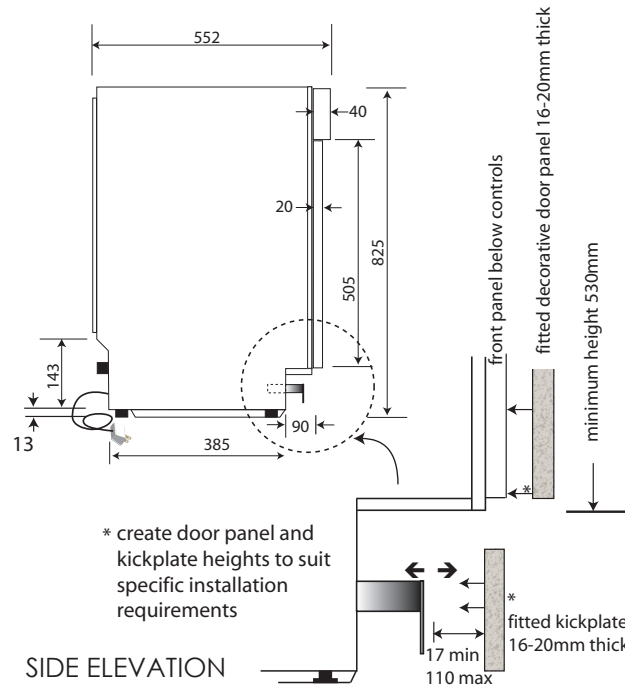
Intensive	60° Celsius
Heavy	50° Celsius
Normal	45° Celsius
Rinse	45° Celsius
Rapid	40° Celsius
- four wash temperatures — 40°C, 45°C, 50°C, 60°C
- three rinse temperatures — 45°C, 60°C, 70°C
- two pre-wash temperatures — ambient, 50°C
- water consumption on Normal program — 13.4 litres
- residual heat hot air drying
- quietness: 58 dBA sound pressure at main (wash) motor
46 dB fully loaded and operating
- bottom basket with collapsible racks for easy loading of pots, pans, casseroles and baking dishes
- top basket with four flip-down racks for double stacking of cups, long-stem glasses, long cooking and serving utensils
- electronic controls with rotary dial, illuminated program selection, half-load selection, power ON
- filtration in three stages, all removable:
 - initial horizontal stainless steel filter
 - middle vertical cylindrical stainless steel filter
 - final stainless steel micromesh filter
- wash action by traditional two wands:
 - lower wand in all-stainless steel
 - upper wand in all polypropylene by direct water feed from rear wall
- water connection by 90°C tolerant pex hose — cold or hot connection
- 150 watt wash motor
20 watt pump motor
2100 watt water heating element



Please note: these drawings are not to scale — they are to assist only



* heights of decorative door panel and kickplate dependent on specific installation requirements



SIDE ELEVATION

Program	Description	FRONT ELEVATION Action					Consumption		Time
		prewash cold	prewash hot	wash	rinse	drying	kWh	water litres	minutes
intensive	very heavily soiled pots, pans, dishes	1x ambient	50°C	60°C	70°C	yes	1.4	17	160
heavy	normally soiled pots, pans, dishes	2x ambient		50°C	70°C	yes	1.05	17	155
normal	light soiled pots, pans, dishes, glasses	1x ambient		45°C	60°C	yes	0.8	13.4	105
rinse	lightly soiled rinse and dry only			45°C	70°C	yes	1.0	9.9	95
rapid	short wash for light soiling — no drying			40°C	45°C		0.4	8.9	30

Water mains pressure allowed —

minimum
 5Ncm/2
 3psi
 0.5bar
 Suitable for mains, gravity feed and tank pressures

maximum
 1000Ncm/2
 110psi
 10bar

electricity supply
 electricity connection
 concealed element
 wash motor
 pump motor
 max current

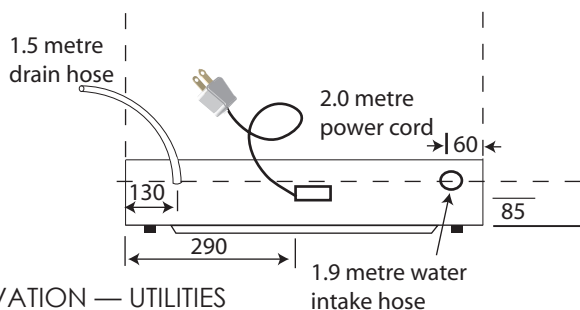
240 volt 50 Hz
 10 Amp GPO
 2100 Watt
 150 Watt
 20 Watt
 9.4 Amp

PACKAGED —

dimensions 885 x 635 x 630 = 0.36m³
 gross weight 50kg
 net weight 43kg

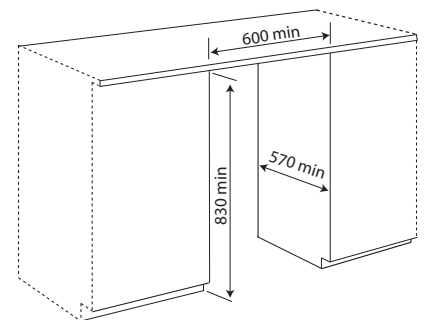
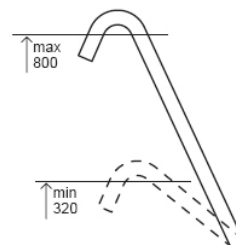
Water connection, hot or cold

Recommended max intake temperature 65°C



REAR ELEVATION — UTILITIES

DRAIN HOSE



INSTALLATION

WARNING: technical specifications and product sizes can be varied by the manufacturer without notice. Cutouts for appliances should only be by physical product measurements. The above information is indicative only.