

# caroma®

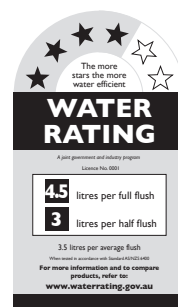
CI/SfB	(74.1)	g3
Date	July 2008	

Supersedes all previous issues

## Concorde Sovereign 2000 Connector

# 3.30.1

Vitreous China 4.5/3 litre Dual Flush  
Cistern, Plastic Seat and Connector Plate



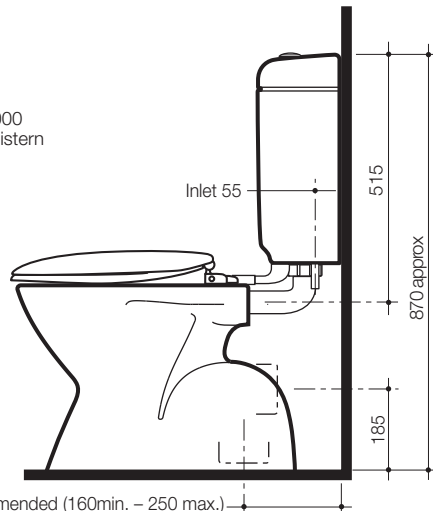
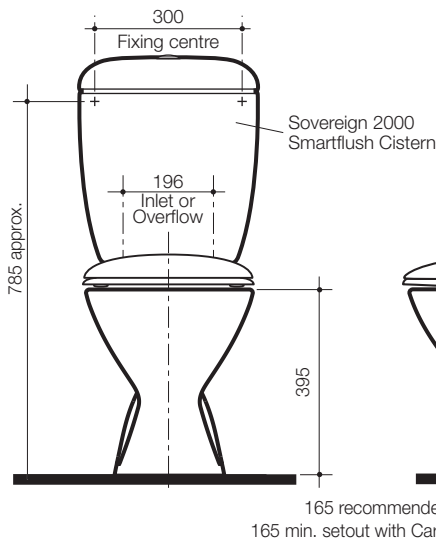
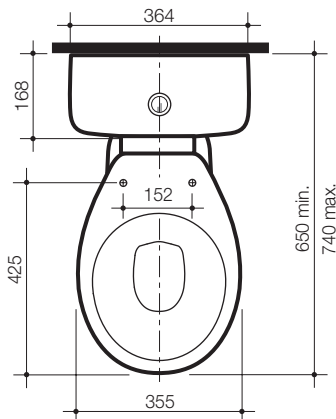
# Concorde Sovereign 2000 Connector

Vitreous China 4.5/3 litre Dual Flush Cistern,  
Matched Pan, Plastic Seat and Connector Plate



A new generation in water-saving technology sanitaryware product, the **Concorde Sovereign 2000 Connector** matched suite uses Caroma Smartflush technology to deliver a 4.5/3 litre dual flush vitreous china toilet suite system. Combined with the Concorde Concealed 4.5 litre SmartFlush pan, the Sovereign 2000 cistern is an integrated system comprising of cistern with high performance outlet valve, seat and plastic connector plate, which conceals the flush pipe and water connection. For an update on Smartflush refer to [www.smartinnovation.com.au](http://www.smartinnovation.com.au)

- Pan:** **Concorde Concealed Smartflush** – 4.5 litre full flush washdown pan.
- Traps:** S-trap (concealed) and P-trap (exposed). Slope of P-trap 95°.
- Inlet:** 50mm back inlet.
- Cisterns:** **Sovereign 2000 Smartflush** Cistern (wall fix version) – has a free fitting lid and is suitable for domestic and light commercial applications.  
**Vandal Resistant Conversion Kit** – A simple to install conversion is available for the standard mechanism to lock lid onto the cistern, recommended for use in heavy use commercial areas. Code No.750109.
- Inlet Valve and Overflow:** **Standard Bottom Entry Cistern** – available as right hand inlet which is interchangeable and incorporates Quietflow 2 inlet valve. Internal overflow only.  
**Important: Working pressure minimum 30kPa to maximum 1000kPa flow pressure. Rain water tank compliant.**
- Seat and Connector Plate:** Available in three toilet seat coupling kit options. **Uniseat, Caravelle Vandal Resistant and Trident.**
- Colours:** White and Ivory.
- Installation:** The installation of the toilet suite shall be in accordance with the normal minimum drainline grade requirements in AS/NZS 3500.2.
- Dimensions:** All dimensions are in millimetres and are subject to normal manufacturing variations. Caroma pursues a policy of continuing improvement in design and performance of its products. The right is therefore reserved to vary specifications without notice.



## Concorde Sovereign 2000 Connector Smartflush Toilet Suites with Connection Plate and Seat: Code No.

4.5/3 litre Bottom Inlet			
Internal overflow			
With Uniseat Connector	S trap	922015	
	P trap	922025	
With Caravelle Vandal Resistant Connector	S trap	921015	
	P trap	921025	
With Trident Connector	S trap	920015	
	P trap	920020	

**Note:** All height dimensions to underside of pan, make allowance for bedding.

**Bedding:** The pan should be fixed to the floor with a sand cement mixture of 3:1 to a depth of 60mm. Do not use lime or fast drying cement in the bedding mixture. When bedded the back of the foot of the pan should be approximately 10mm above the finished floor.

**Screw fixing:** The pan should be bedded with an acetic cured silicone sealant and fixed with corrosion resistant screws and pan guard washers. Use Caroma screw fixing kit. Code No.601150.