

caroma®

CI/SfB	(74.8)	n6
Date	July 2008	

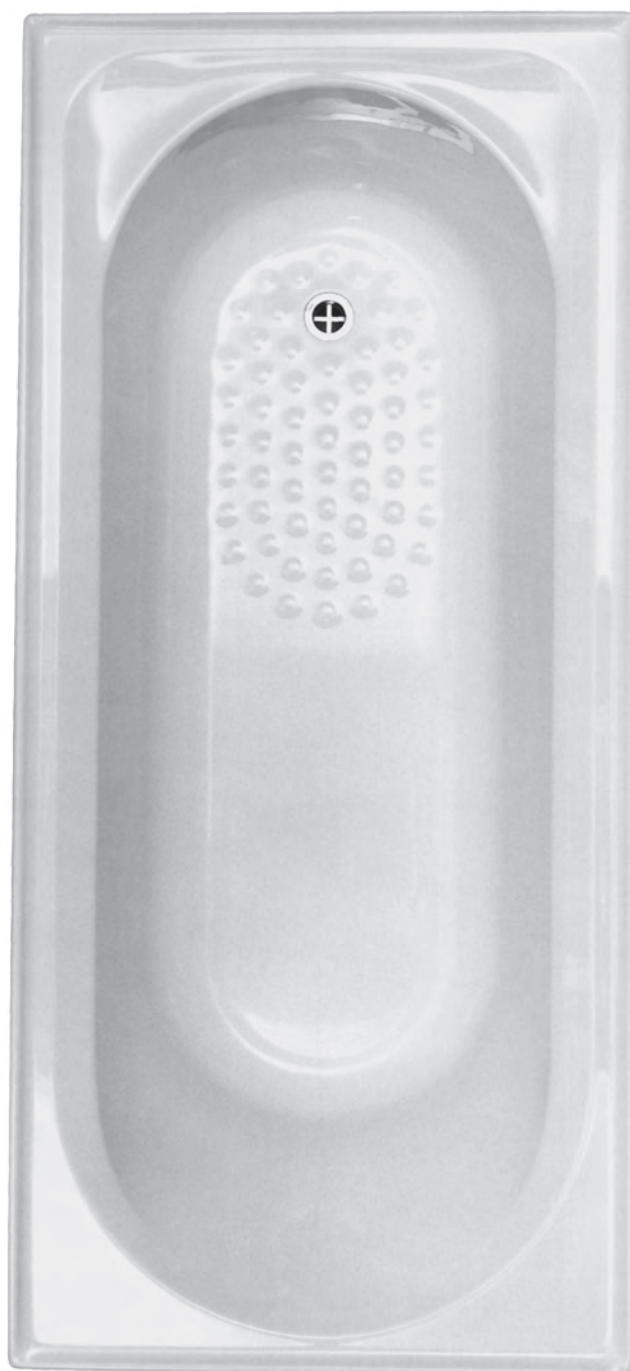
Supersedes all previous issues

Verona

Acrylic Bath

Nominal Sizes: 1525mm x 765mm x 390mm
1675mm x 765mm x 380mm

9.24.1



Verona

Acrylic Bath

1525mm x 765mm x 390mm

1675mm x 765mm x 380mm



A standard bath of classic style for general purpose applications featuring a comfortable lumbar support and easy to clean contours. The front area of the base of the bath features an integral raised slip resistant base pattern. Formed from sanitaryware grade acrylic sheet with fibreglass reinforcing and strong solid steel rod rim support.

The **Verona** bath is available in two sizes: 1525mm long x 765mm wide x 390mm deep – Code No.851110; and 1675mm long x 765mm wide x 380mm deep – Code No.851210.

Durability: Sanitaryware grade acrylic resists chipping, will not rust and has excellent heat retention properties. Its high gloss finish has natural slip resistance. Minor scratch marks can be removed with metal polishes.

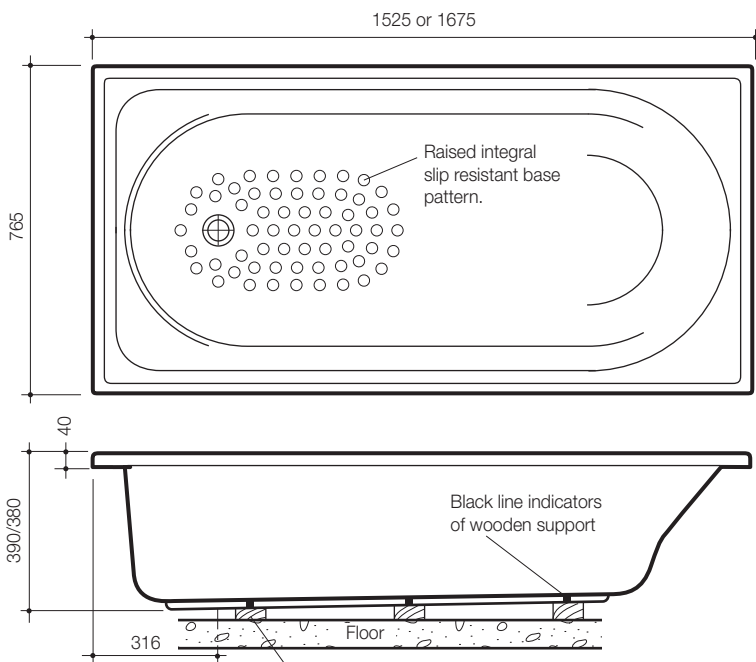
Waste Outlet: Waste outlet is suitable for 40mm diameter standard waste assembly.

Bath Capacity: Verona 1525 – 210 litres; Verona 1675 – 232 litres.

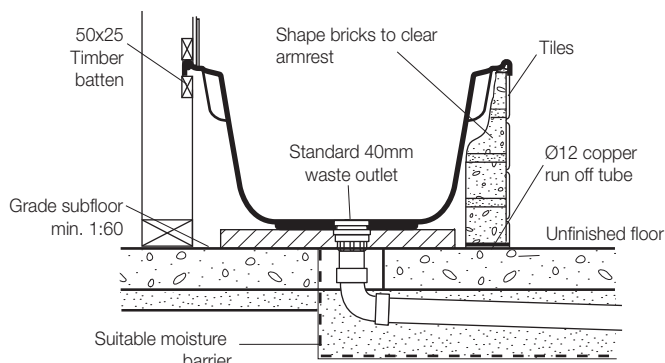
Installation: The bath is suitable to be installed for both built in and island installations. The bath is supported around its rim and the base is supported with timber base supports. Refer Sheet 9.20.1 for further installation information.

Colour: White only.

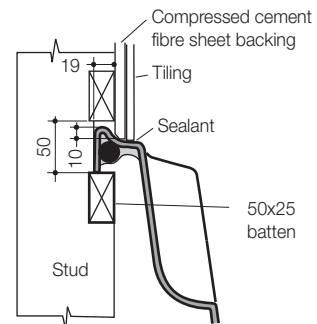
Dimensions: All dimensions are in millimetres and are subject to normal manufacturing variations. Caroma pursues a policy of continuing improvement in design and performance of its products. The right is therefore reserved to vary specifications without notice.



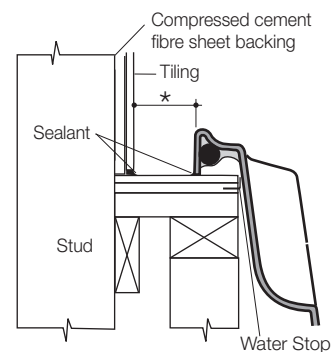
On the indicator lines, position and fix timber supports to base of the bath and floor with an approved floor and wall panelling adhesive or equivalent adhesive to provide a neat fit support. Ensure the rim of the bath is levelled during this procedure.



BUILT-IN INSTALLATION



ISLAND INSTALLATION



*** IMPORTANT:**
Refer to Local Authority for minimum setout from wall

TIMBER SUPPORT ALTERNATIVE

Bond inner face of bath to timber frame as detailed with approved floor and wall panelling adhesive

