

caroma®

Caravelle 600

Vitreous China
Semi Recessed Vanity Basin

Nominal Size 610mm x 480mm

Caravelle 550

Vitreous China
Semi Recessed Vanity Basin

Nominal Size 550mm x 445mm

CI/SfB	(74.2)	g3
Date	July 2008	

Supersedes all previous issues

2.42.1



Shown with chrome waste (supplied as standard late 2008).

Caravelle 600

Vitreous China Semi Recessed Vanity Basin

Basin Size: 610mm x 480 mm (nominal)

Caravelle 550

Vitreous China Semi Recessed Vanity Basin

Basin Size: 550mm x 445 mm (nominal)



A modern concept semi recessed vanity basin incorporating functional bowl surrounds with smooth rounded contours for easy cleaning and available in two sizes. The **Caravelle 600** and **Caravelle 550** are generously sized basins with two soap holders and have been designed to co-ordinate with other products in the Caravelle range. The basin is suitable for domestic, commercial and disabled people applications.

Tap Holes: The basins are available in one, three and no taphole options only:
Caravelle 600 – No taphole white only Code No.659500, one taphole Code No.659510 and three tapholes Code No.659530.
Caravelle 550 – No taphole white only Code No.659700, one taphole Code No.659710 and three tapholes Code No.659730.

Waste Outlet: The basin has been designed for the Caroma Uni-waste outlet suitable for a 40mm trap connection. Coloured plastic flush fitting Uni plug and waste supplied. For applications where a chrome plated brass waste is required there are four suitable Uni-wastes available in the following options — Flush Fitting Plug and Waste Code No.687140, Vandal Resistant Flush Fitting Plug and Waste Code No.687141, Covered Plug and Waste Code No.687142 and Vandal Resistant Covered Plug and Waste Code No.687143.

Bowl Capacity: **Caravelle 600** – 14 litres.
Caravelle 550 – 9 litres.

Overflow: Overflow not available.

Fixing: **D.250 Bracket with Tie Hooks** – Supplied. Recommended for domestic and general commercial use. Two D.250 brackets are fixed to the underside of the counter top to secure the tie hooks which anchor the back of the basin to the counter.

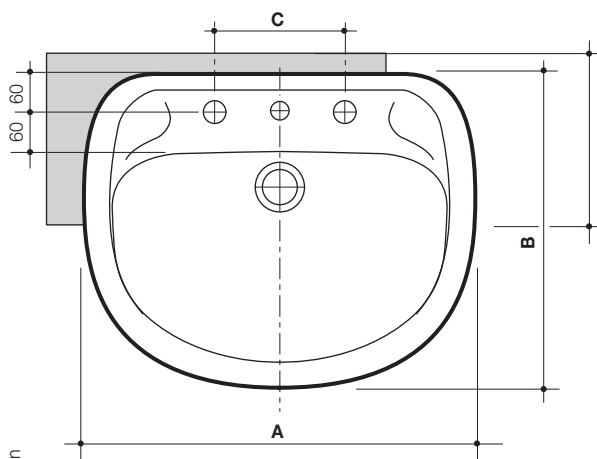
The basins must be sealed to the top and front surface of the counter with an acetic cured silicone sealant. **Epoxy type glues must not be used.**

The basin is supplied with a template which must be used for the counter top cut-out.

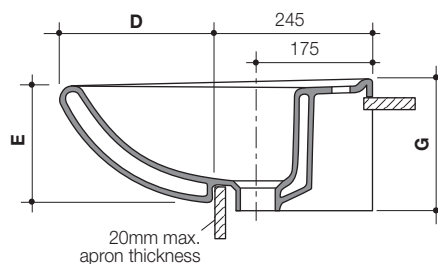
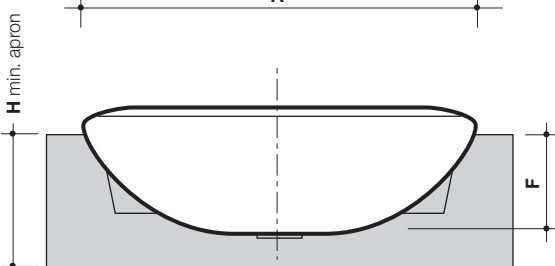
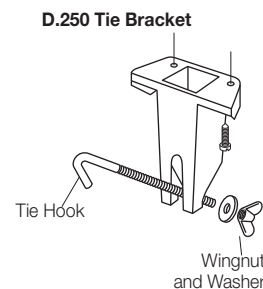
Important: For granite or marble tops, fix two 20mm thick wooden blocks in the bracket position on the underside of the granite/marble with fast setting two part epoxy. When fully set screw the brackets into position on the wooden blocks. Other suitable fastening systems maybe used.

Colours: White only.

Dimensions: All dimensions are in millimetres and are subject to normal manufacturing variations. Caroma pursues a policy of continuing improvement in design and performance of its products. The right is therefore reserved to vary specifications without notice.



Variable when using D.250 Tie Brackets.
 Note: Local authorities have requirements for minimum basin to wall dimensions.



Dimensions	A	B	C	D	E	F	G	H
Caravelle 600	610	480	205	235	180	160	205	180
Caravelle 550	550	445	200	200	180	158	200	178